

# Sanimarin® 4

## ELECTRIC RV MACERATING TOILET

Part # 071 (12 V)



### TECHNICAL SPECIFICATIONS

**Voltage/Amperage/Power:**  
12V, 25A, 300W

**Discharge:**  
10 Ft vertically / 100 Ft horizontally

**Discharge pipe diameter:**  
1" or 1-1/2" (built-in check valve)

**Operation running time:**  
Eco: 13s / Normal: 15s

**Water consumption:**  
Eco: 0.63 gallons  
Normal: 0.79 gallons

**Electrical consumption:**  
Eco: 0.091Ah  
Normal: 0.105Ah

**Water use:**  
Onboard freshwater  
(integrated solenoid valve).  
Minimum pressure of supplied water is  
25 PSI (1.7 bar). Recommended pump  
flow rate is 2.9 GPM.

**Weight:**  
52.5 Lbs

### FEATURES

- **Standard height and comfortable sized** macerating toilet system.
- **Strongly-built, reliable and comfortable** design ensures the role of a traditional toilet.
- **Provided with soft-close toilet seat** and mounting hardware.
- Equipped with powerful **stainless steel macerating blade**.
- Provided with **control panel** with different flushing options.
- **Optional black water tank sensors** provided with cables ready for easy and simple connection.
- **Provided with discharge connection facing vertically downwards** for standard RV pipe connection.



US 800-571-8191  
CDN 800-363-5874

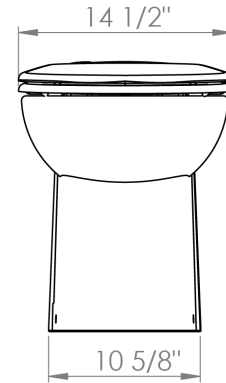
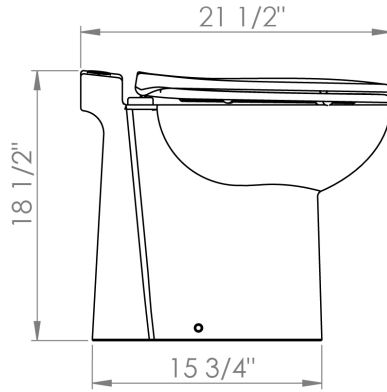
Saniflo  SFA GROUP



sanimarin.com



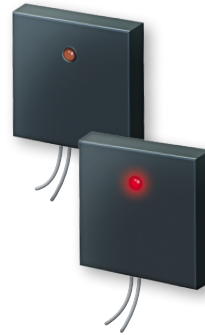
## DIMENSIONS



## CONTROL AND MONITORING SYSTEM



- POWER ON and TANK FULL indicator lights. (Optional connection to your black water tank gauge).
- Economical flush (0.63 gallons), normal flush (0.79 gallons). Adjustable to up to 1 gallon.
- EMPTY button removes water from the bowl. Used for maintenance as well.



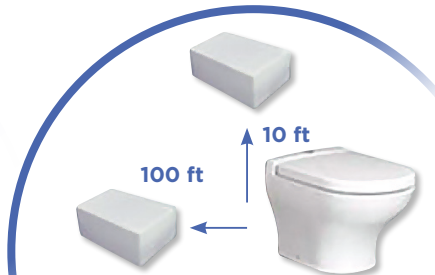
- Sensor kit measuring mid and full levels .
- Reliable sensors are mounted on the tank's exterior for simple installation and eliminating issues caused by debris and buildup inside the tank.
- LEDs within the control panel will provide information to user.

## BENEFITS



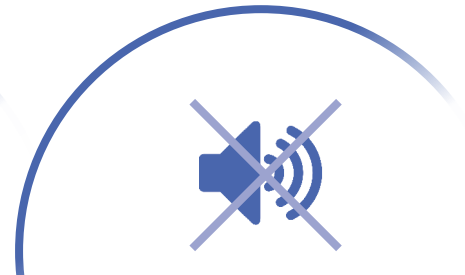
### SIMPLICITY

Installation is very simple as it easily replaces old hand pump toilets.



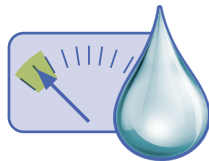
### ENVIRONMENTAL

Eco-friendly pump systems give you flexibility in your installation as the toilet and black water tank can be several feet away.



### SILENT

These systems are the quietest electric toilets on the market.



### EFFICIENT

Economical systems as water and electrical consumption are minimum.



### SOLIDLY BUILT

Excellent macerating system patented more than 60 years ago for worldwide use.