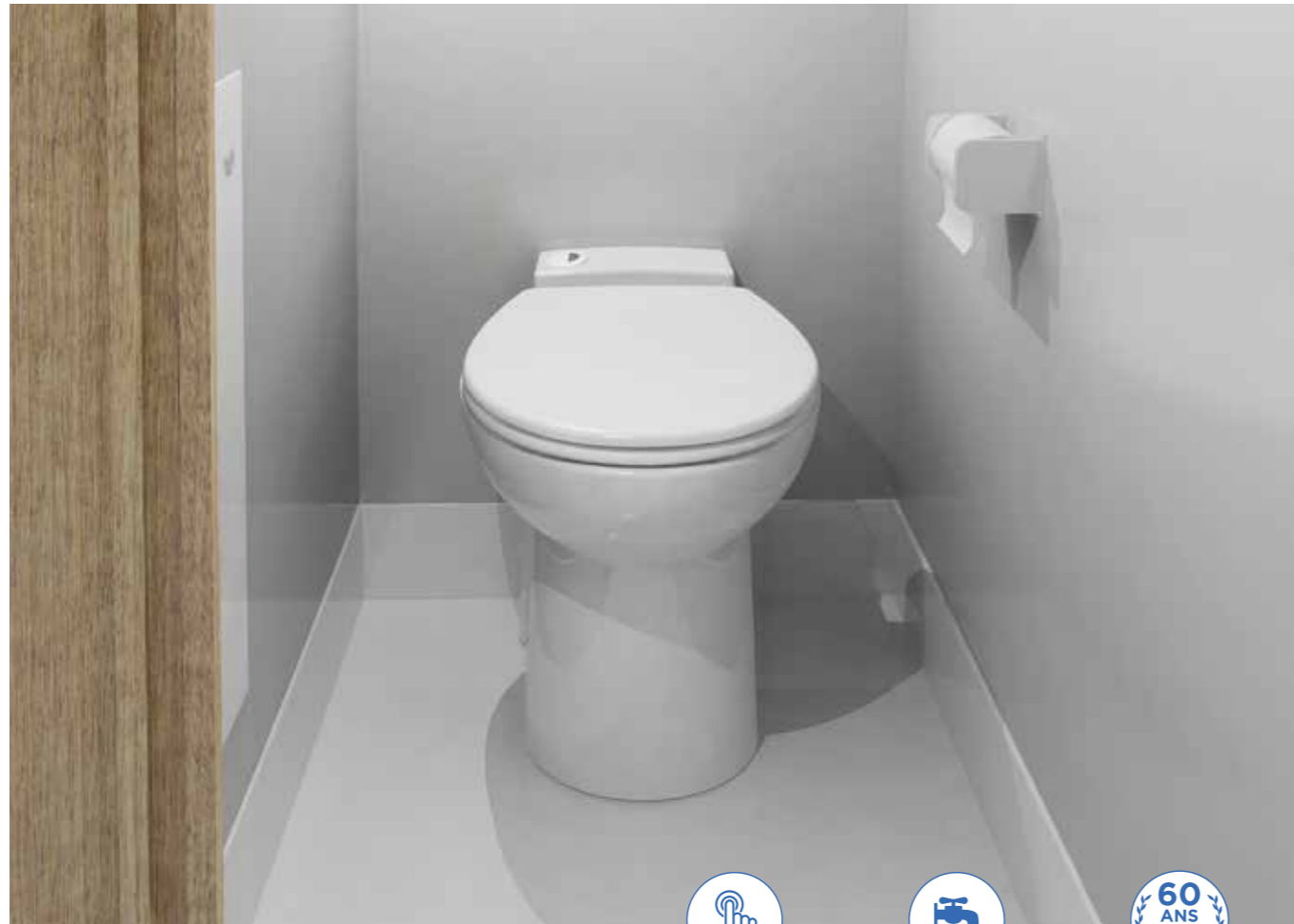


..... Professional range

A COMPREHENSIVE RANGE OF MARINE WCS TO MEET EVERY REQUIREMENT.



Easy to use



Connection to the pressurised water onboard



Features SFA macerating technology

TECHNICAL FEATURES

Pumping height	3 m
Horizontal pumping distance	30 m
Non return valve	Integrated
Outlet diameter	32 mm
Supply voltage	110 V, 220 V
Motor power	550 W (220 V), 800 W (110 V)
Water consumption	Eco : 3,6 L / Normal : 5 L
Water use	- Onboard freshwater (integrated solenoid valve) - Minimum pressure of supplied water 1.7 bar
Weight	Sanimarin 43 : 23 kg Sanimarin 4 : 26 kg Sanimarin Exclusive Medium : 26 kg

REFERENCES

DESIGNATION	CODE	EAN
Sanimarin 4 Plus 110 V	SN4110V	3308815076539
Sanimarin 4 Plus 220 V	SN4220V	3308815076546
Sanimarin 4 Dual Flush 110 V	SN4110VDF	3308815076553
Sanimarin 4 Dual Flush 220 V	SN4220VDF	3308815076560
Sanimarin 43 Plus 110 V	SN43110V	3308815076577
Sanimarin 43 Plus 220 V	SN43220V	3308815076584
Sanimarin 43 Dual Flush 110 V	SN43110VDF	3308815076591
Sanimarin 43 Dual Flush 220 V	SN43220VDF	3308815076607
Sanimarin Exclusive Medium Plus 110 V	SNEXCLM110V	3308815076690
Sanimarin Exclusive Medium Plus 220 V	SNEXCLM220V	3308815076706
Sanimarin Exclusive Medium Dual Flush 110 V	SNEXCLM110VDF	3308815076713
Sanimarin Exclusive Medium Dual Flush 220 V	SNEXCLM220VDF	3308815076720

2 CONTROL SYSTEMS



Pneumatic button **Plus** on the WC unit.

Two automatic cycles:
Normal: press once (5l of water)

Eco: press twice rapidly (3.6 L of water)

Press and hold to place the WC in "dry bowl" mode..



Electric button **Dual Flush** on the WC unit.

Two automatic cycles:

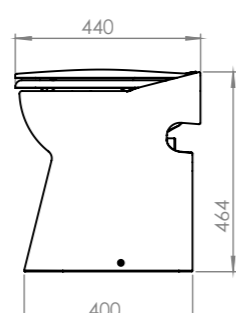
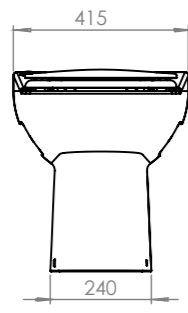
Normal : 5 L.
Eco : 3.6 L.

Press both buttons simultaneously to place the WC in "dry bowl" mode.

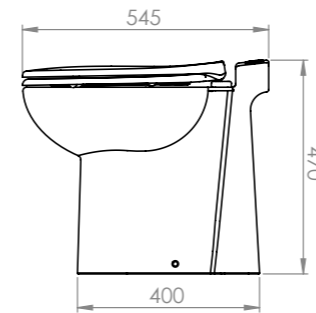
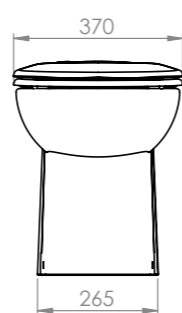
VIEWS & DIMENSIONS (MM)



Sanimarin 43



Sanimarin 4



Sanimarin Exclusive Medium

